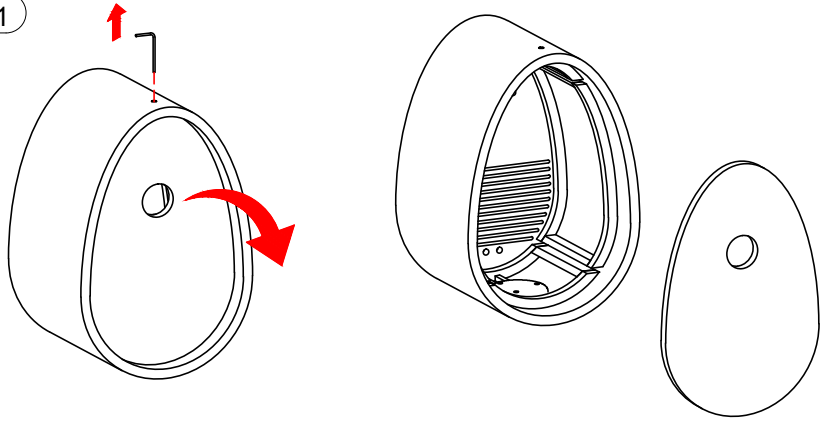


INSTRUCTIONS FOR USING THE  
**POLE MOUNT**

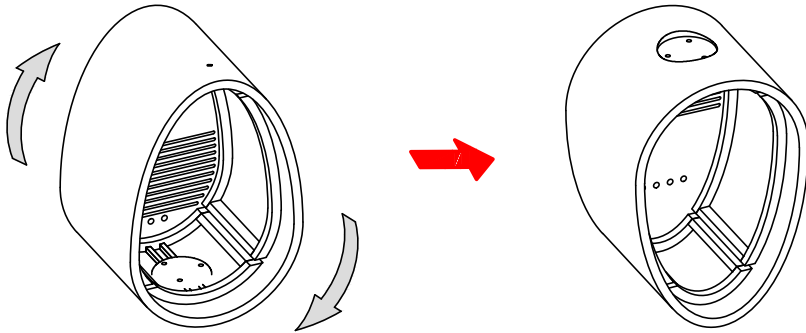


# POLE MOUNTING OPTION

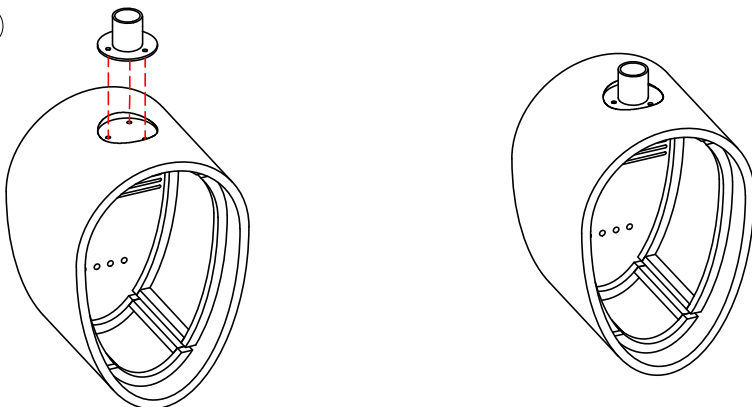
Step 01



Step 02

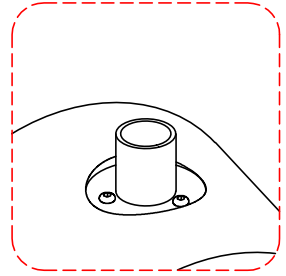
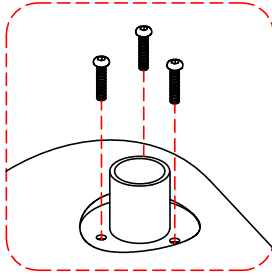
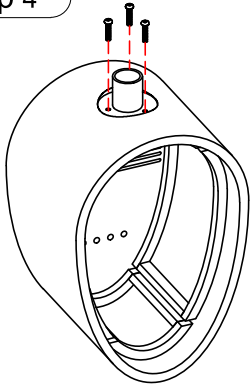


Step 03

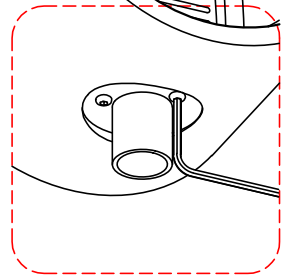
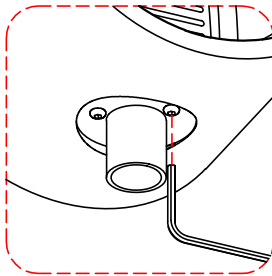
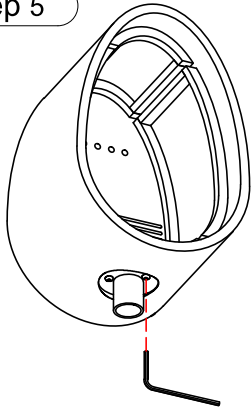


# POLE MOUNTING OPTION

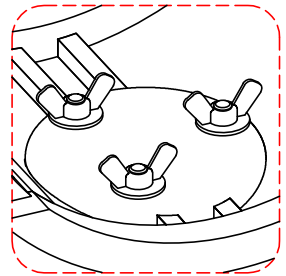
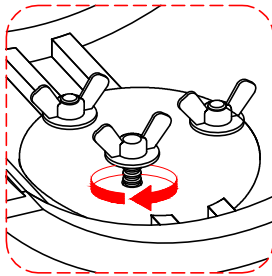
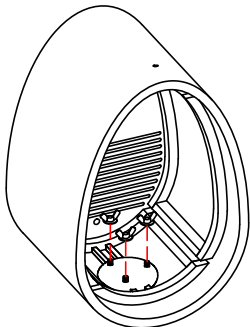
Step 4

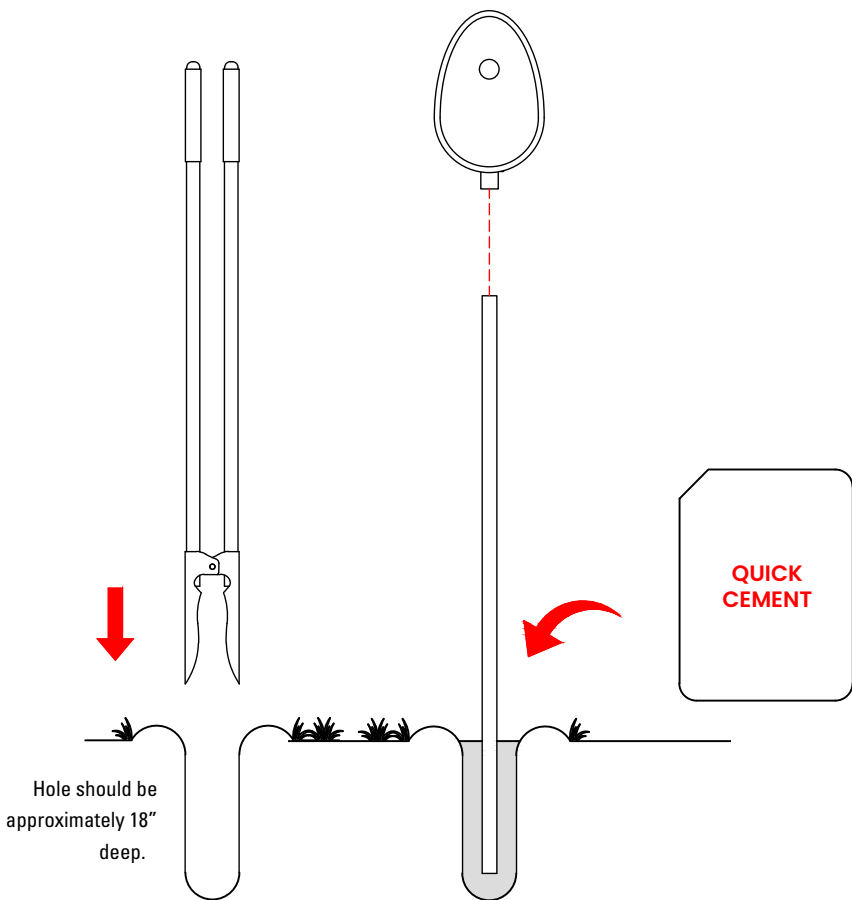


Step 5



Step 6





## YOU WILL NEED:

### 1. 1.25 in. x 10 ft. Electric Metallic Tube (EMT) Conduit.

Ask specifically for "EMT" conduit sold at any big box hardware store. This is lighter weight and less costly than heavy duty rigid conduit. *PRO TIP: When in doubt, bring the white aluminum mounting bracket (included) with you to the store to ensure the correct fit.*

### 2. Half bag of cement mix (approx 25 – 30 pounds needed).

### 3. Hole digger (small shovel works too).

### 4. Post level (standard level works too).